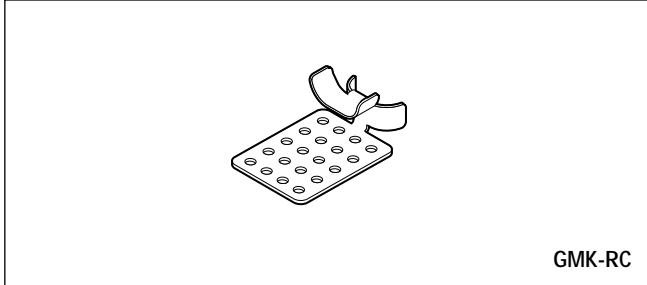
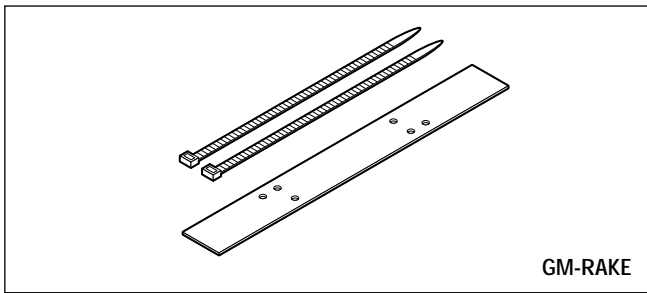


Installation Instructions



GMK-RC



GM-RAKE

The GMK-RC Roof Clip and GM-RAKE Hanger Bracket Kits are for use with Raychem IceStop heating cables. Carefully follow these instructions. Do not use other hardware or techniques which may damage the heating cable and cause electrical hazard, fire damage or poor performance.

GMK-RC

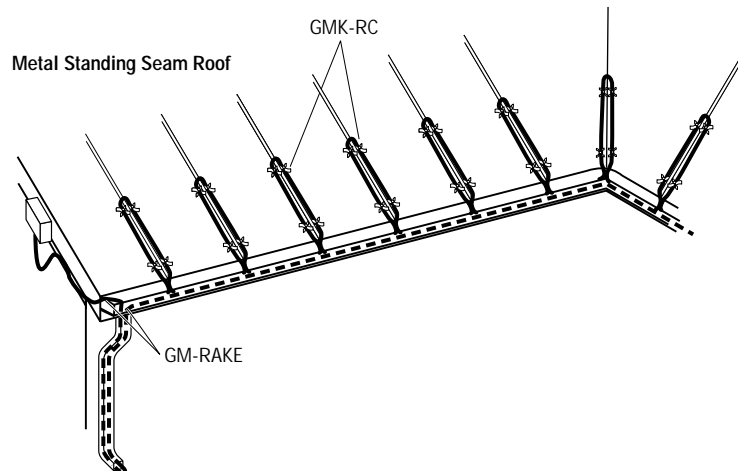
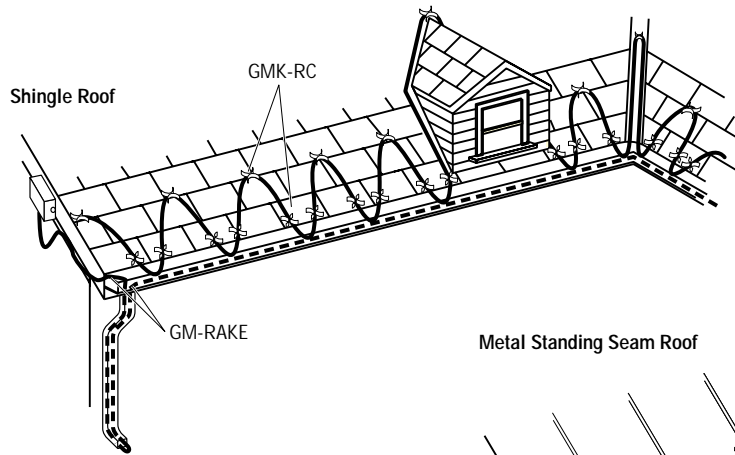
The GMK-RC roof clips are used to secure IceStop heating cables to roofs and gutters. For applications where you will be using this clip to install the heating cable with a nail or screw, go to page 2. For applications where you will be using this clip to install the heating cable with adhesives, go to page 3.

GM-RAKE

The GM-RAKE hanger bracket is used to provide mechanical protection to the IceStop heating cable as it goes over sharp edges and to hold the heating cable in place at the top of downspouts. Refer to page 4 for instruction on how to install the GM-RAKE hanger bracket.

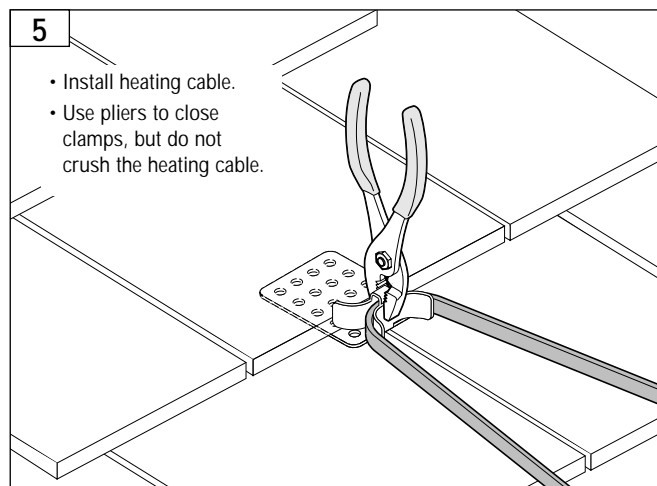
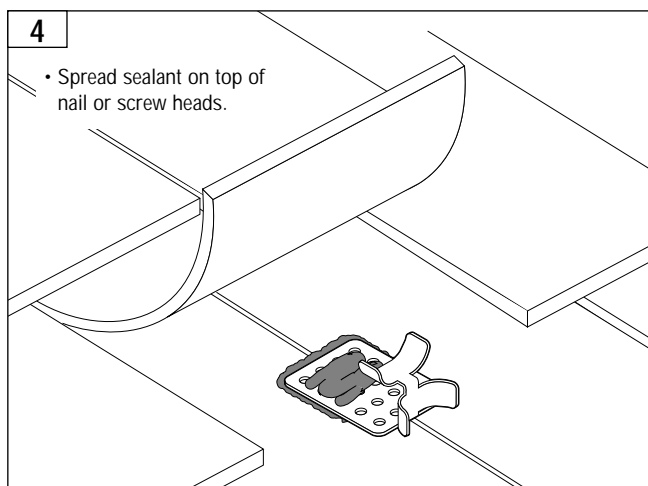
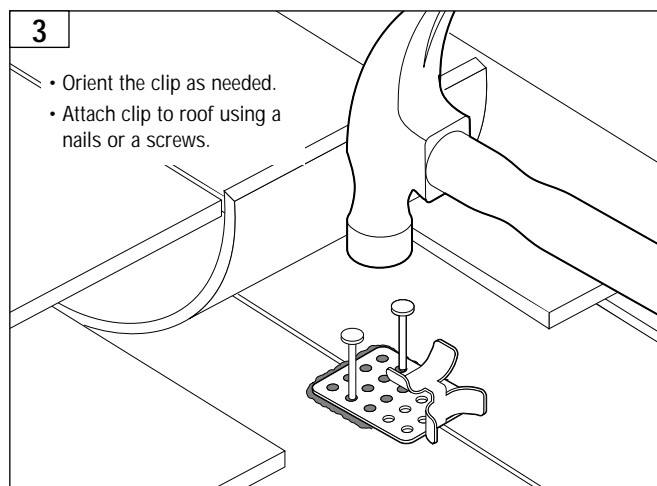
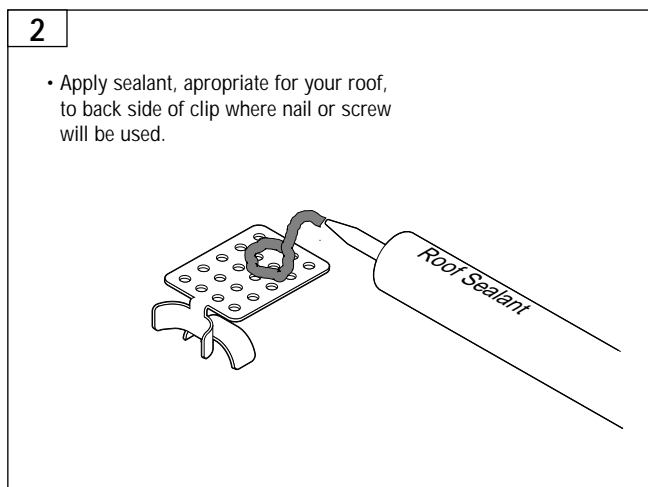
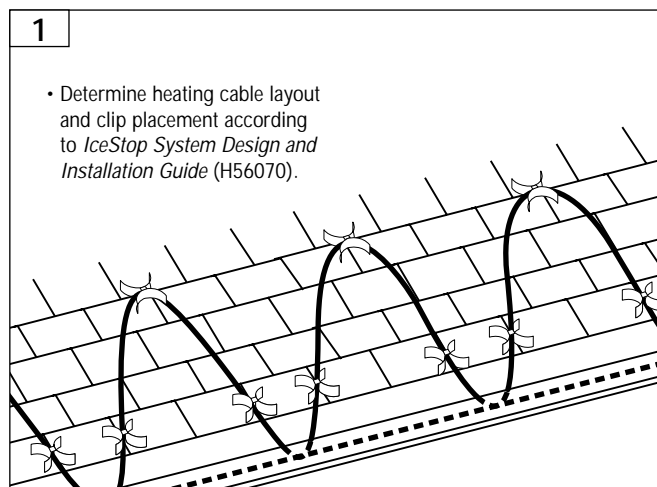
Approvals

The GMK-RC and GM-RAKE kits are approved for use with UL Listed, FM Approved, and CSA Certified IceStop heating cable systems.



GMK-RC and GM-RAKE Installation Instructions

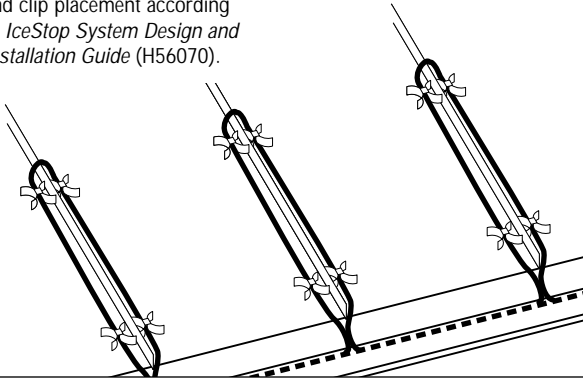
Attaching GMK-RC with screw or nail



Attaching GMK-RC with adhesive

1

- Determine heating cable layout and clip placement according to *IceStop System Design and Installation Guide* (H56070).



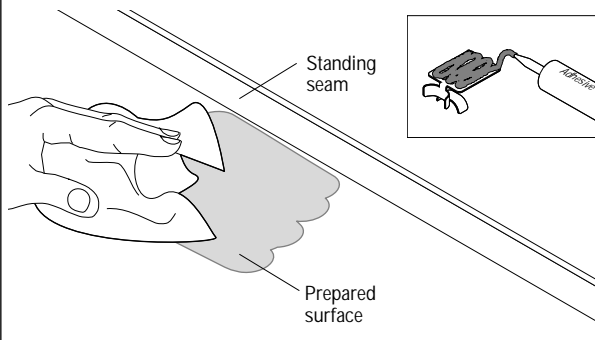
2

Adhesive Selection:

- Select appropriate adhesive.
- For most metal roofs, Raychem recommends GE RTV 167 Grey.
- Call your Raychem representative, or Raychem at (800) 545-6258 for alternate adhesive recommendations.

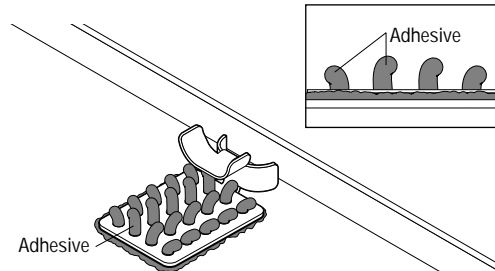
3

- Prepare roof surface per adhesive manufacturer's specifications.
- Apply a liberal amount of adhesive to back side of GMK-RC.



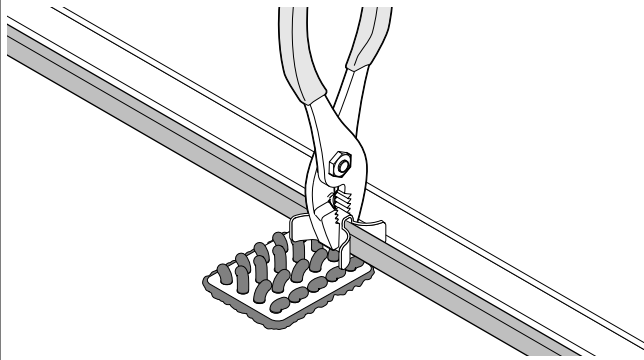
4

- Place clip on prepared surface. Press down to ensure adhesive flows through holes.
- Do not trim back adhesive beads because they help hold the clip down.



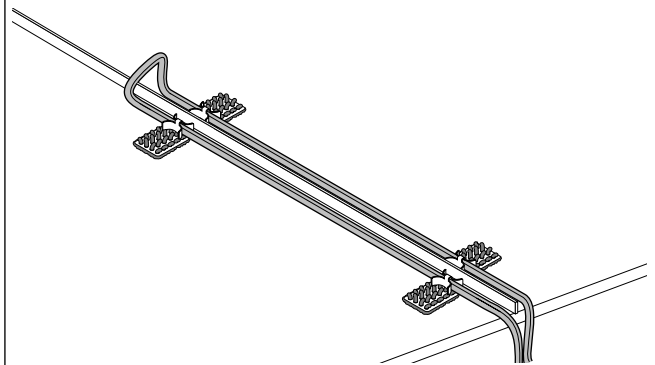
5

- Allow adhesive to cure per manufacturer's specifications.
- Install heating cable.



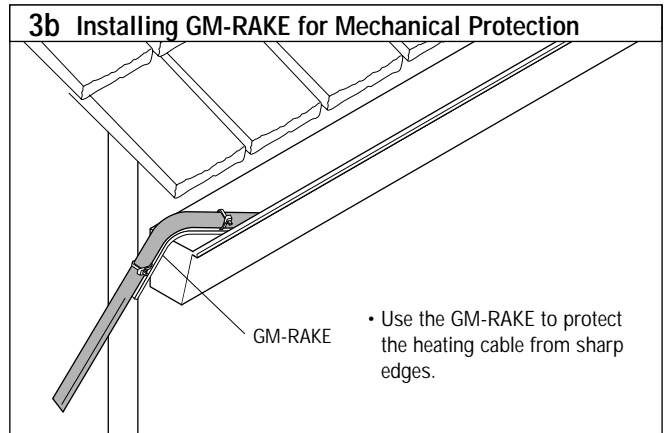
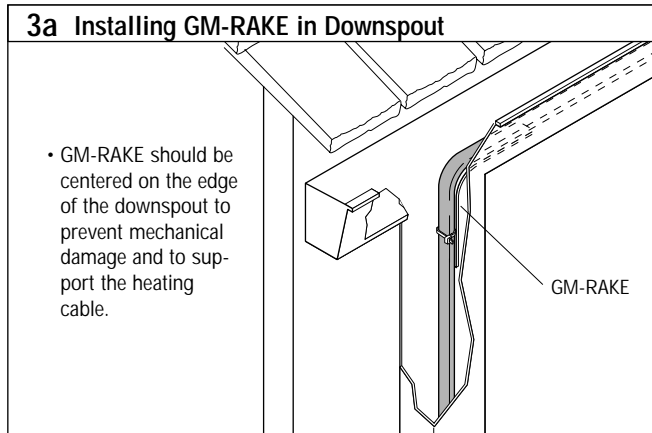
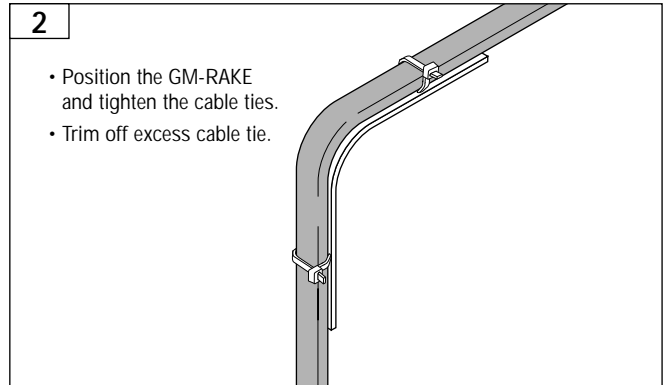
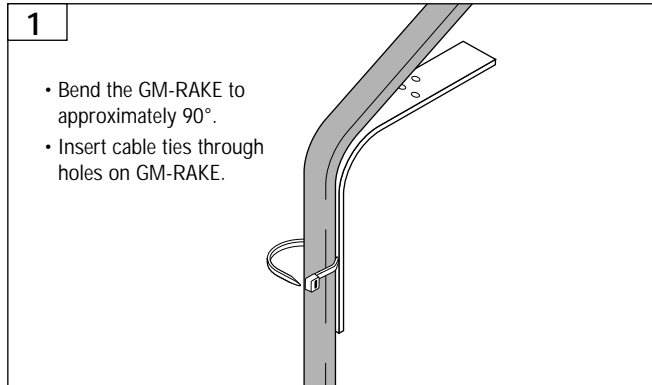
6

- Completed installation.

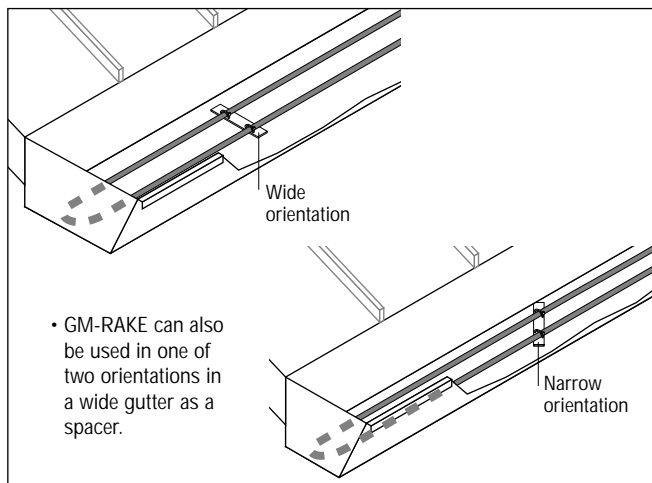


GMK-RC and GM-RAKE Installation Instructions

Installing GM-RAKE in Gutter



Installing GM-RAKE as a Spacer



IceStop is a trademark of Raychem Corporation.

Telecommunications, Energy and Industrial Division

Raychem Corporation
 300 Constitution Drive
 Menlo Park, California 94025-1164
 Tel (800) 545-6258
 Fax (800) 611-2323
 cheminfo@raychem.com
 www.raychem.com

Raychem Canada Limited
 Toronto, Ontario
 Canada
 Tel (800) 545-6258
 Fax (650) 811-0323